



Trusted quality for best performance

Essential LV MR16

The Essential LV MR16 is part of the Philips "Value for Money" ranges. It is a good choice for professional end-users looking for high-quality accent light to create contrast in shops, hotels and restaurants.

Benefits

- Accent light to create the perfect focus on the objects to be lit
- Cool beam to minimize the effects of halogen light on sensitive objects
- Best dimmability to meet different brightness requirements

Features

- Bright sparkling light to create ambient atmosphere.
- Excellent color rendering (Ra=100) to present the true color of objects.
- Instant start to offer direct brightness from the moment switch on.
- No mercury to ensure the safety usage.
- Reliable quality to be trusted.

Application

- Shops, hotels and restaurants

Related products



GU5.3, MR16, Closed



GU4, MR11, 30°

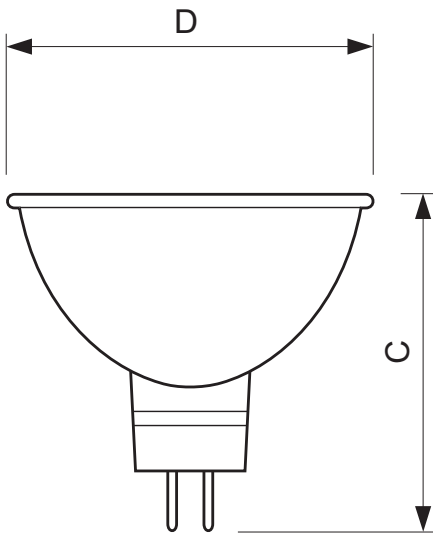


GU5.3, MR16, Open



50W, GU10

Dimensional drawing



Ess MR16 20W GU5.3 12V 36D ON 1CT

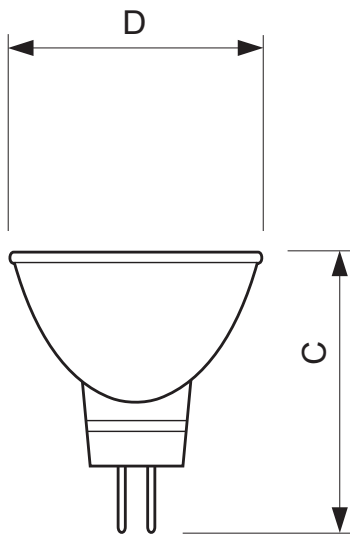
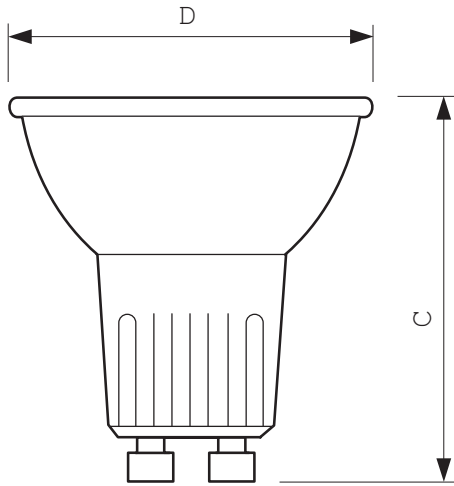
Product	C (Max)	D (Max)
FIGHTER 20W GU5.3 12V MR16 36D	46	50.7
FIGHTER 20W GU5.3 12V MR16 36D	46	50.7
FIGHTER 50W GU5.3 12V MR16 36D	46	50.7
FIGHTER 50W GU5.3 12V MR16 36D	46	50.7
FIGHTER 14596 20W GU5.3 12V MR16 36D	46	51
FIGHTER 14598 35W GU5.3 12V MR16 36D	46	51
FIGHTER 14598 35W GU5.3 12V MR16 36D	46	51
FIGHTER 14598 35W GU5.3 12V MR16 36D	46	51
FIGHTER 14598 35W GU5.3 12V MR16 36D	46	51
FIGHTER 14598 35W GU5.3 12V MR16 36D	46	51
FIGHTER 14600 50W GU5.3 12V MR16 36D	46	51
FIGHTER 14600 50W GU5.3 12V MR16 36D	46	51
FIGHTER 50W GU5.3 12V MR16 60D	46	51
FIGHTER 50W GU5.3 12V MR16 60D	46	51
FIGHTER 35W GU5.3 12V MR16 60D	46	51
Fighter 50W GU5.3 12V MR16 36D	-	-
Fighter 50W GU5.3 12V MR16 36D	-	-
Fighter 50W GU5.3 12V MR16 60D	-	-
Fighter 20W GU5.3 12V MR16 36D	46	50.7
Fighter 35W GU5.3 12V MR16 36D	46	50.7
Fighter 35W GU5.3 12V MR16 60D	46	50.7
FIGHTER 14596 20W GU5.3 12V MR16 36D	46	51
FIGHTER 14600 50W GU5.3 12V MR16 36D	46	51
FIGHTER 14600 50W GU5.3 12V MR16 36D	46	51

Dimensional drawing

FIGHTER 14600 50W GU5.3 12V MR16 36D	46	51
FIGHTER 14596 20W GU5.3 12V MR16 36D	46	51

ESSENTIAL TWISTLine Alu 50W GU10 240V MR16 50D 4PF

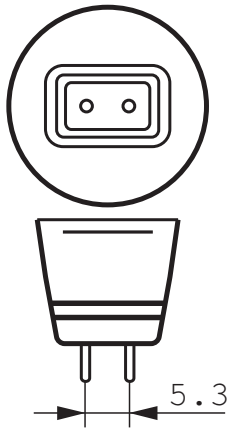
Product	C (Max)	D (Max)
TWIST Alu 14605EC 50W GU10 240V 50D	51	51



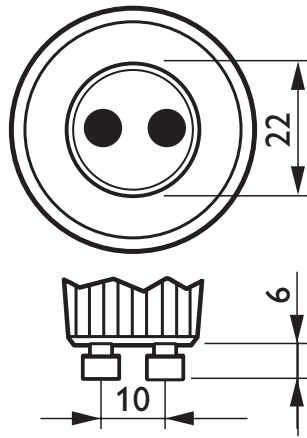
FTD 20W GU4 12V MR11 30D 1BC

Product	C (Max)	D (Max)
FIGHTER 20W GU4 12V MR11 30D	40	35,3

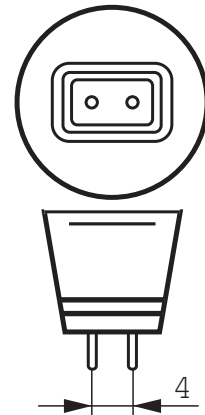
Installation diagrams



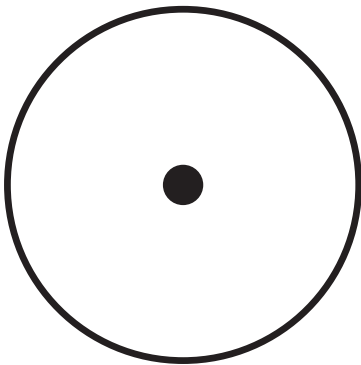
GU5.3



GU10

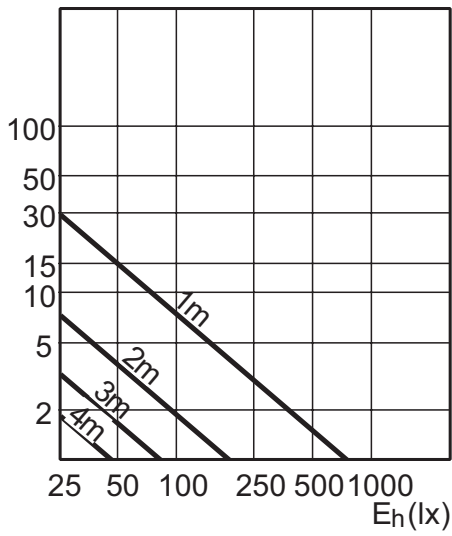


GU4

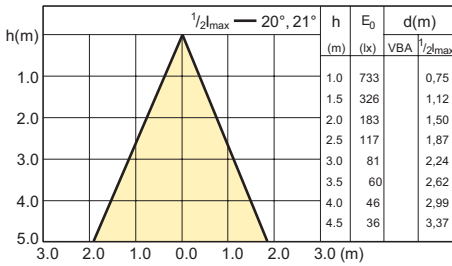


any

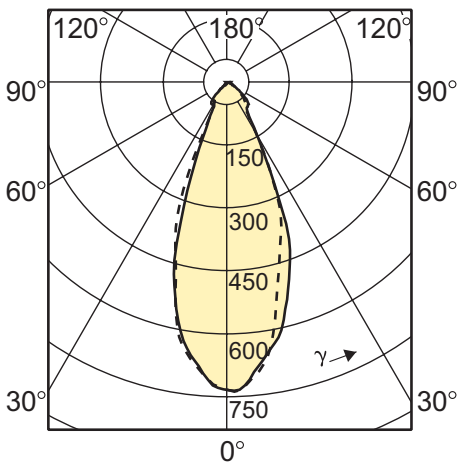
Light technical



Twistline Alu 50D



Twistline Alu 50D



Twistline Alu 50D



© 2012 Koninklijke Philips Electronics N.V.
All rights reserved.

Specifications are subject to change without notice. Trademarks are the property of Koninklijke Philips Electronics N.V. or their respective owners.

www.philips.com/lighting

2012, November 10
data subject to change